

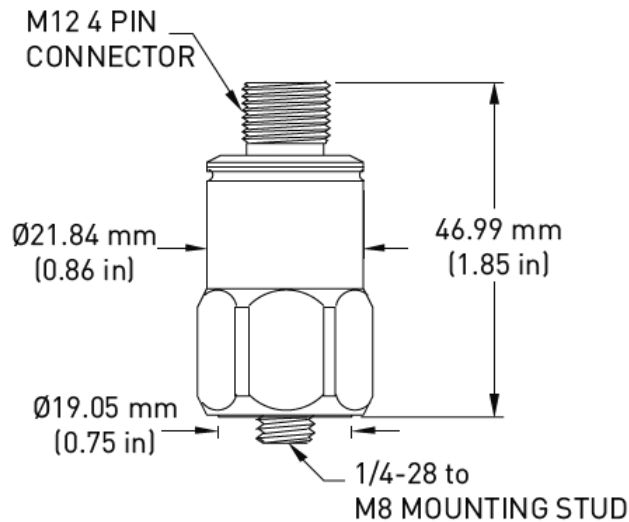
General purpose accelerometer

786A-M12



Key features

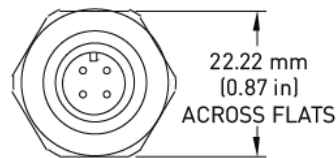
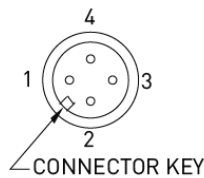
- Comes with the industry popular M12 connector
- Hermetically sealed
- Rugged design
- Corrosion resistant
- Case isolated
- ESD-protected



Certifications



Connections	
Function	Connector pin
ground	shell
power/signal	1
common	2
N/C	3
N/C	4



Note: Due to continuous process improvement, specifications are subject to change without notice.
This document is cleared for public release.

Wilcoxon Sensing Technologies
20511 Seneca Meadows Parkway
Germantown, MD 20876
info@wilcoxon.com

Tel: (301) 330 8811
Fax: (301) 330 8873
www.wilcoxon.com

Wilcoxon Sensing Technologies
An Amphenol Company

General purpose accelerometer

786A-M12

SPECIFICATIONS

Sensitivity, $\pm 5\%$, 25° C	100 mV/g
Acceleration range, VDC > 25V	80 g peak
Amplitude nonlinearity	1%
Frequency response:	
$\pm 5\%$	3 - 5,000 Hz
$\pm 10\%$	1 - 9,000 Hz
± 3 dB	0.5 - 14,000 Hz
Resonance frequency	30 kHz
Transverse sensitivity, max	5% of axial
Temperature response:	
-25° C	-10%
+120° C	+10%
Power requirement:	
Voltage source	18 - 30 VDC
Current regulating diode	2 - 10 mA
Electrical noise, equiv. g:	
Broadband 2.5 Hz to 25 kHz	700 μ g
Spectral 10 Hz	10 μ g/ \sqrt Hz
100 Hz	5 μ g/ \sqrt Hz
1,000 Hz	5 μ g/ \sqrt Hz
Output impedance, max	100 Ω
Bias output voltage	12 VDC
Grounding	case isolated, internally shielded
Temperature range	-50 to +120° C
Vibration limit	500 g peak
Shock limit	5,000 g peak
Electromagnetic sensitivity, equiv. g, max	70 μ g/gauss
Sealing	hermetic
Base strain sensitivity, max	0.0002 g/ μ strain
Sensing element design	PZT, shear
Weight	90 grams
Case material	316L stainless steel
Mounting	1/4 - 28 UNF tapped hole
Mating connector	M12 style, 4 or 5 pin
Recommended cabling	J10 / J9T2A

Contact

Wilcoxon Sensing Technologies

20511 Seneca Meadows Parkway
Germantown MD 20876, USA

Tel: +1 301 330 8811
Fax: +1 301 330 8873

info@wilcoxon.com

www.wilcoxon.com

Accessories supplied:

- Calibration data (level 2)
- SF6M mounting stud

Note: Due to continuous process improvement, specifications are subject to change without notice.
This document is cleared for public release.

Wilcoxon Sensing Technologies
20511 Seneca Meadows Parkway
Germantown, MD 20876
info@wilcoxon.com

Tel: (301) 330 8811
Fax: (301) 330 8873
www.wilcoxon.com

Wilcoxon Sensing Technologies
An Amphenol Company